



Work Space

BOALT SA Enterprises was established in 1997 by our founder Mr. Hemant Sharma.

As a 5th generation prodigy in a long list of successful craftsmen in the family, Mr. Sharma picked up the intricacies of the craft at a young age. Following many successful projects and recognition, Mr. Sharma founded BOALT to bring his expertise to turnkey furnishing solutions.

The company specializes in large scale institutional projects like schools, offices, and residential apartments. A special focus is given to Government sector projects, where BOALT has managed to carve out a niche for itself with multiple national and international projects of repute over the past two decades.



1860-1880



1880-1925



1925-1975



1975-1996



1996-Present

Our Mission

To revolutionize end-to-end furnishing solutions for institutions of all sizes.

Our Vision

BOALT aspires to create experiences for its customers that bring traditional design and build philosophy together with global standards of finishing, through a customer-first approach.

Our Expertise

From material procurement to in-house logistics, we are a self-sufficient company that has a proven track record of delivering end-to-end mid- to large-sized projects.

Our core competencies include, but are not restricted to -

Furniture designing and manufacturing

Best raw materials procurement

In-house logistics channel

Customized solutions for clients

Project management

Specialization in remote area sites

Specialization in public sector projects



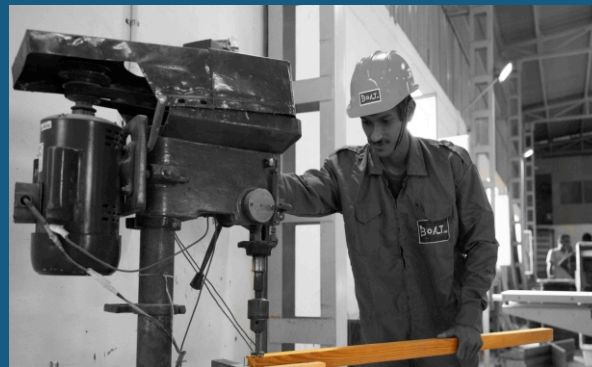
Design and Build Capability ~ A Success Story

Big factors for our success thus far are our Designing and Manufacturing capabilities.

Most of our expert craftsmen have worked with us for a long time, perfecting their impressive skills. In addition to highly skilled craftsmen, we also have the latest tools and machinery in the business, our own manufacturing facility in Rajasthan, a wood seasoning plant, and a paint booth. All of which enables us to give you a truly end-to-end service, along with our other in-house capabilities, like logistics.



Our Manufacturing Facility



R&D Department



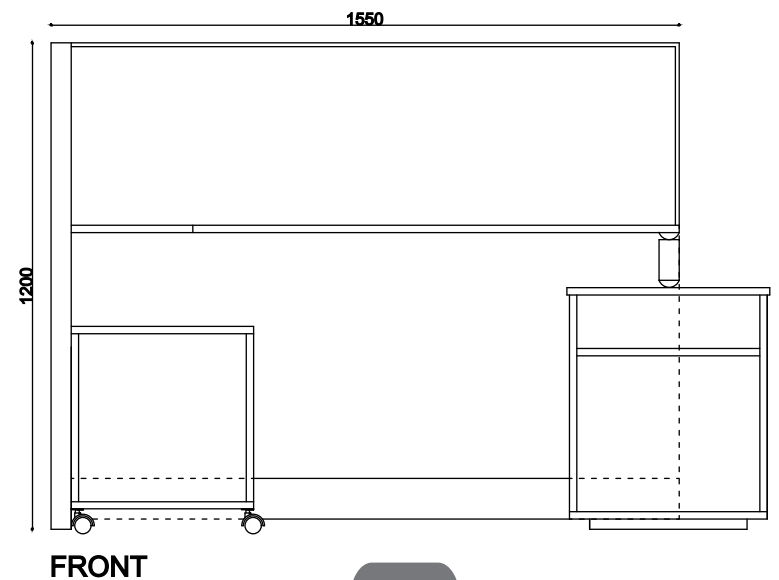
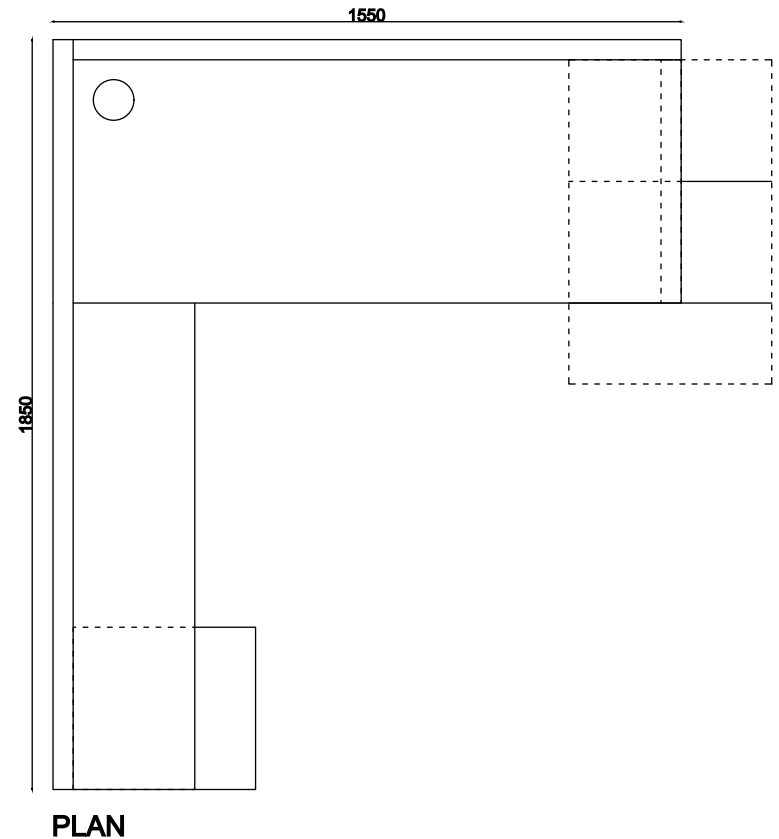
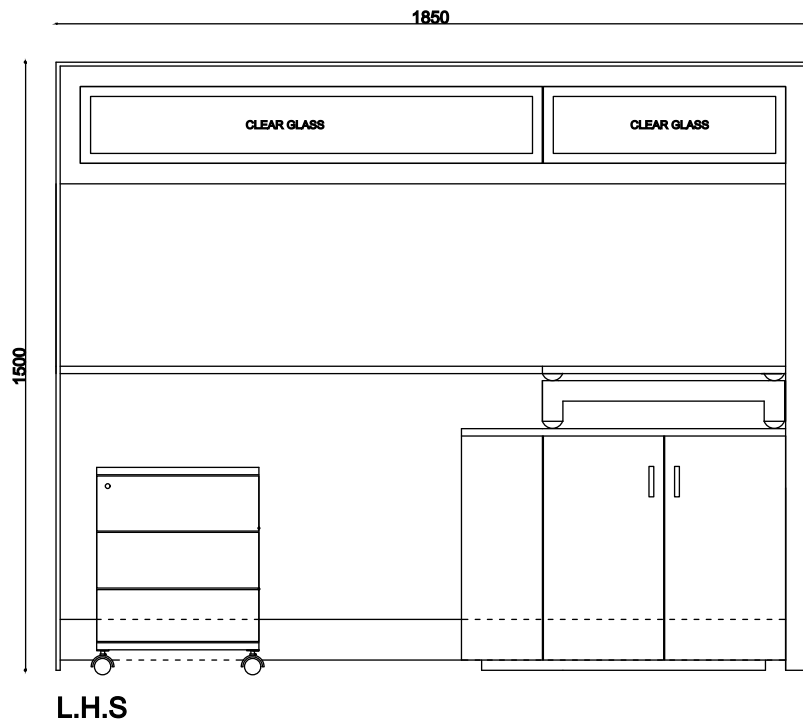
QUALITY CERTIFICATE





BT-WS-001

Work Station



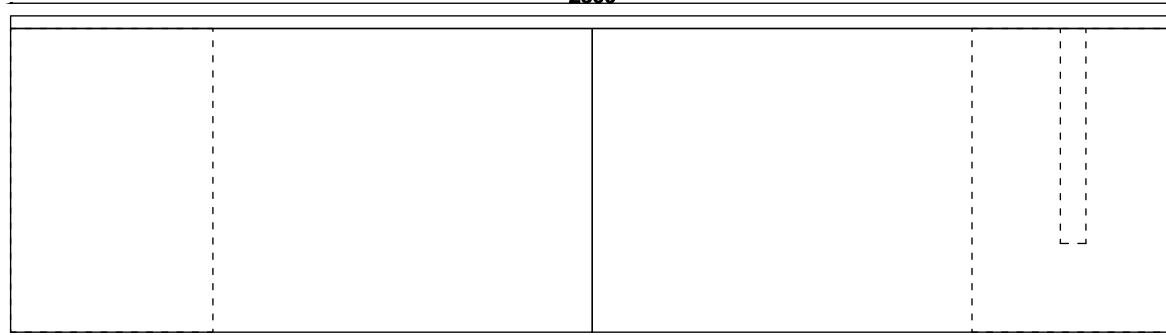


BT-WS-002

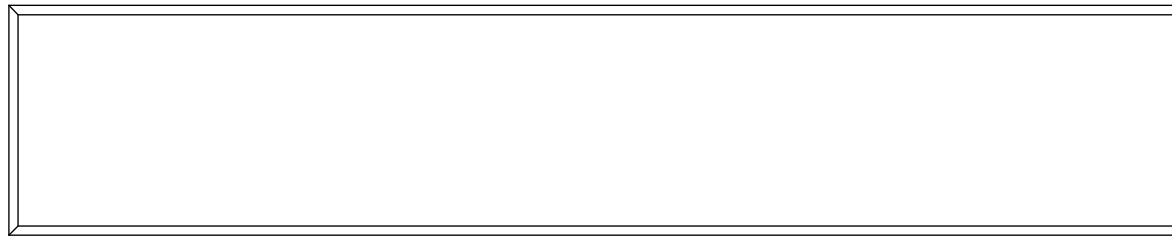
Work Station

2300

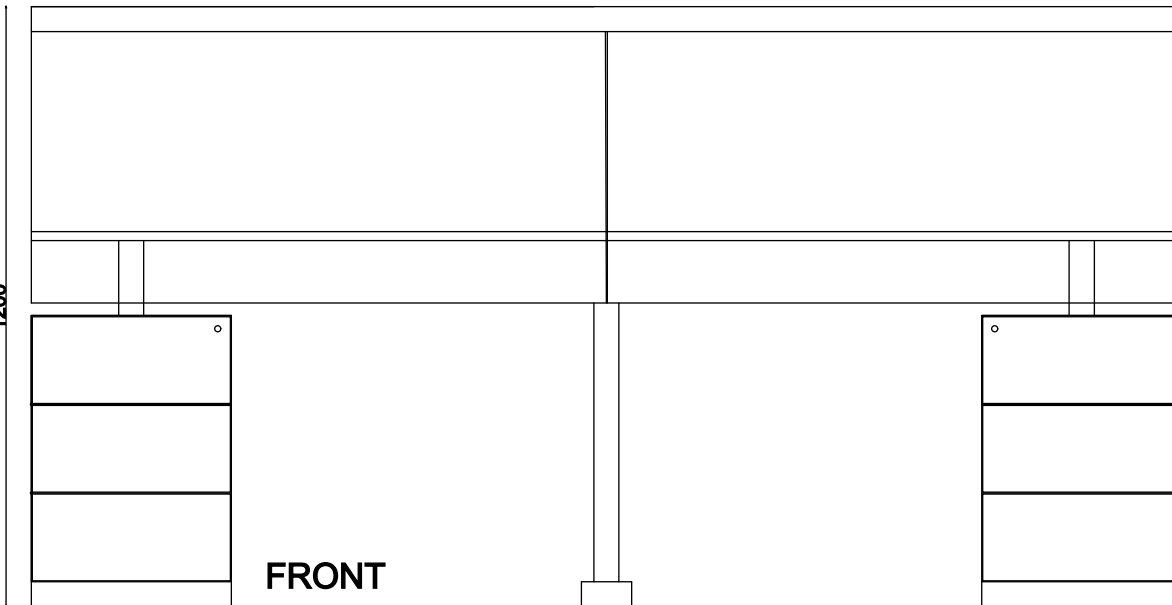
600



PLAN



1200

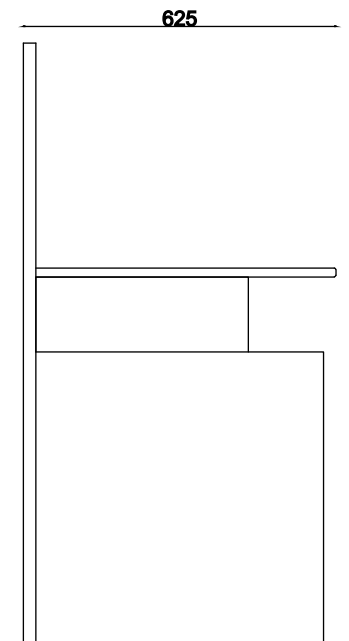


FRONT

625

1200

SIDE





BT-WS-003

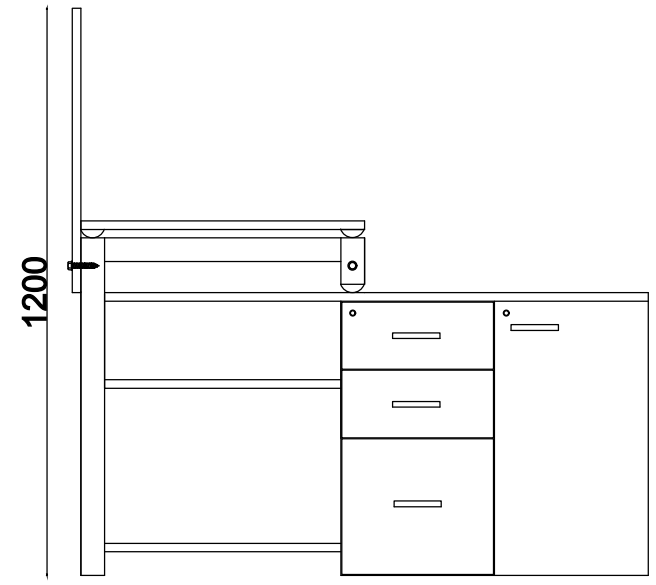
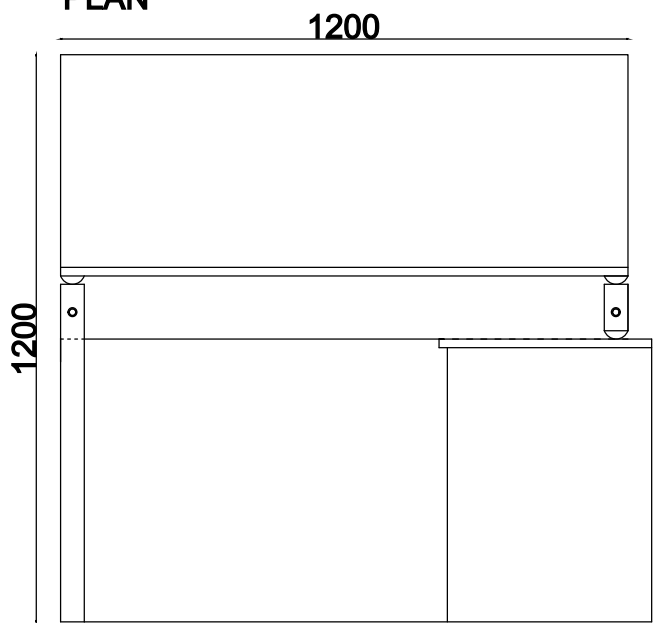
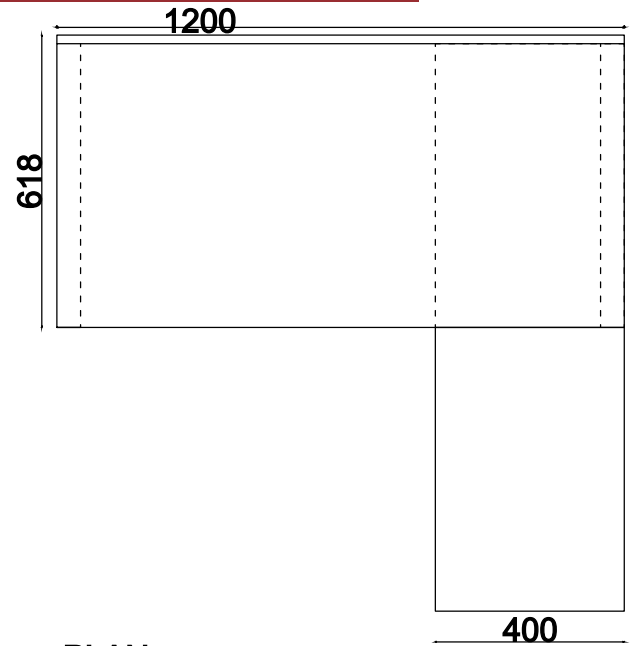


BT-WS-004



BT-WS-005

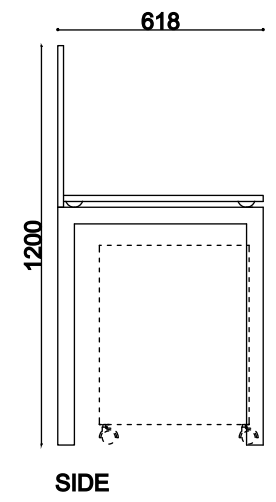
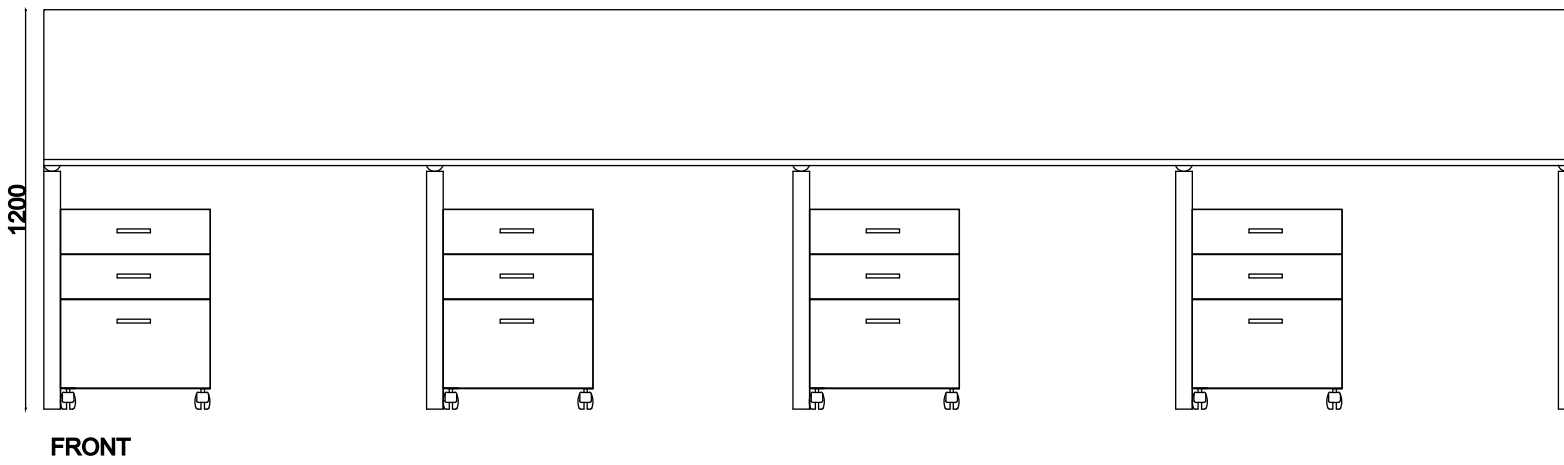
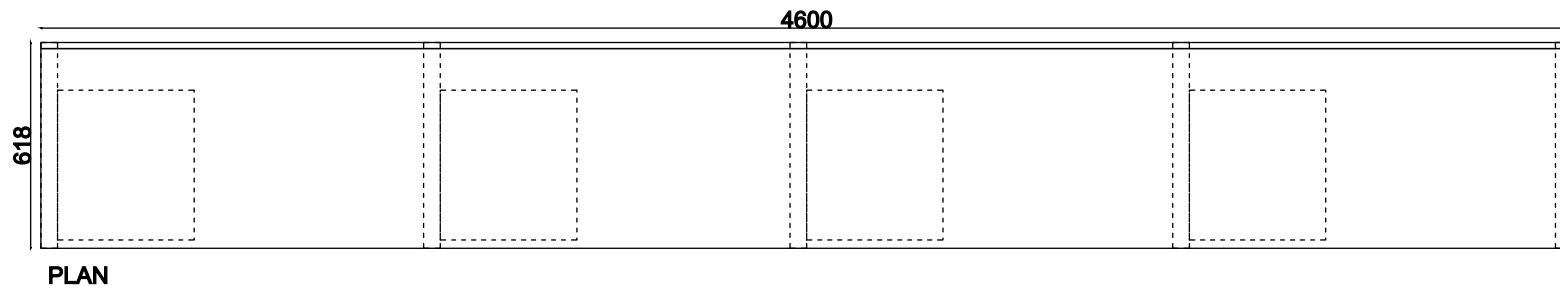
Work Station





BT-WS-006

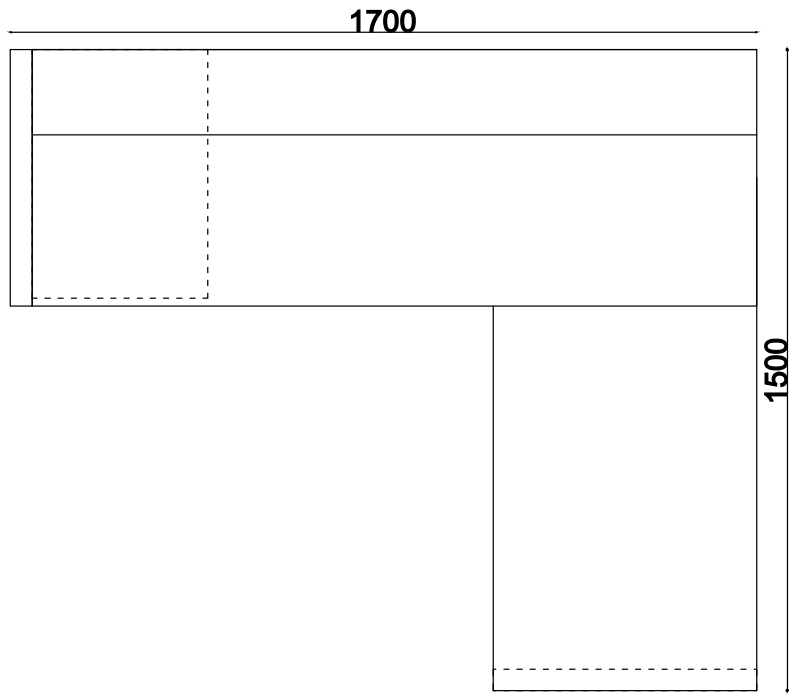
Work Station



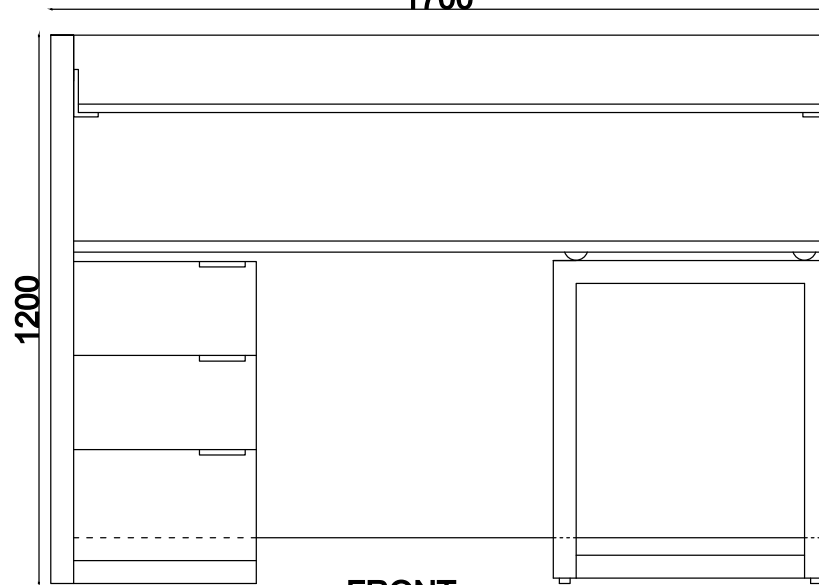


BT-WS-007

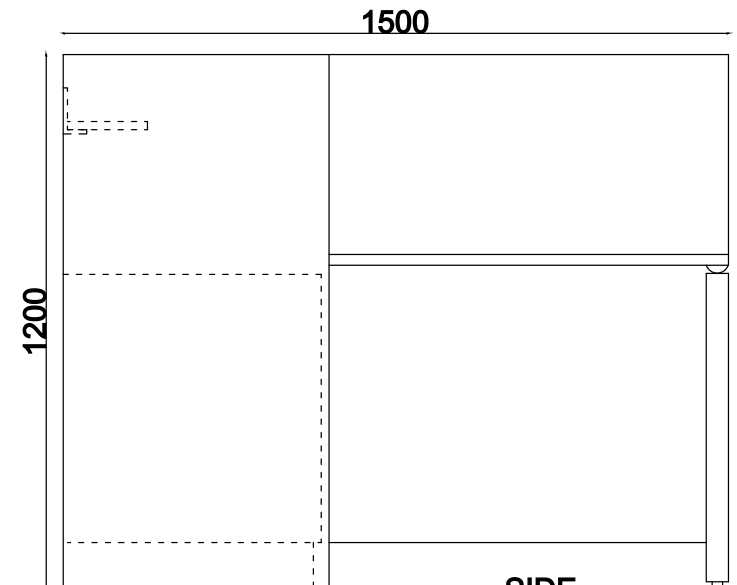
Work Station



1700 PLAN



FRONT

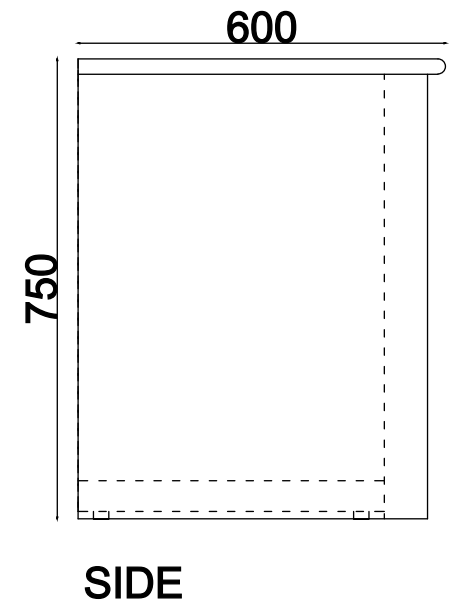
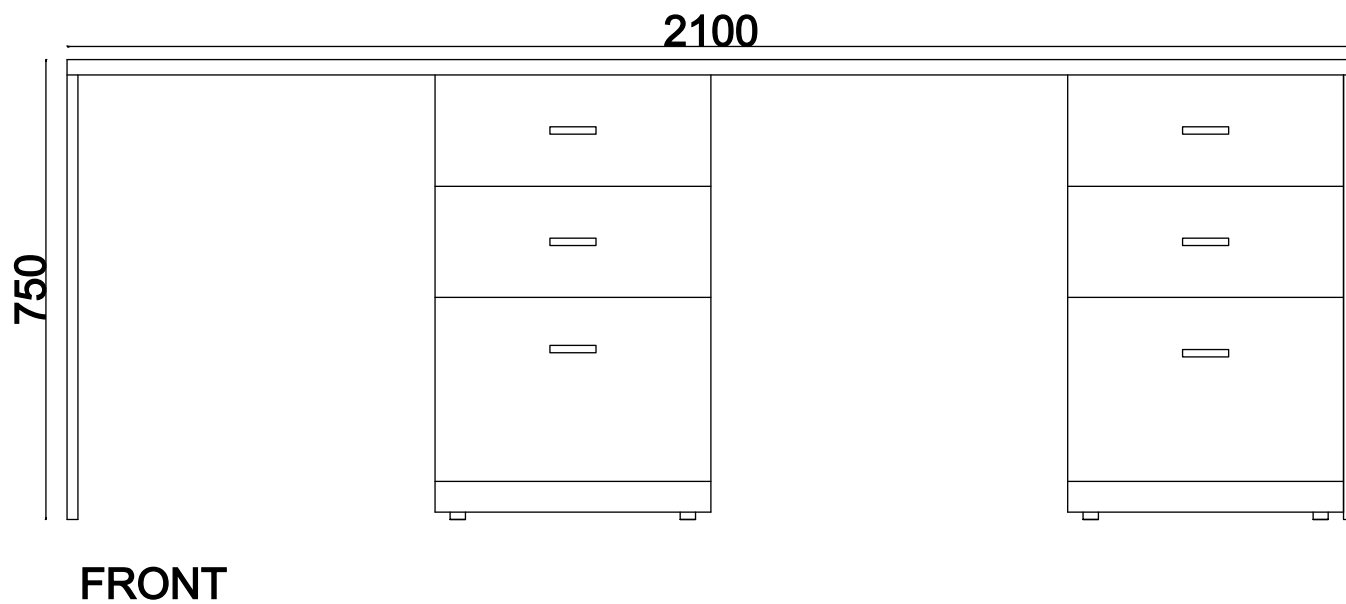
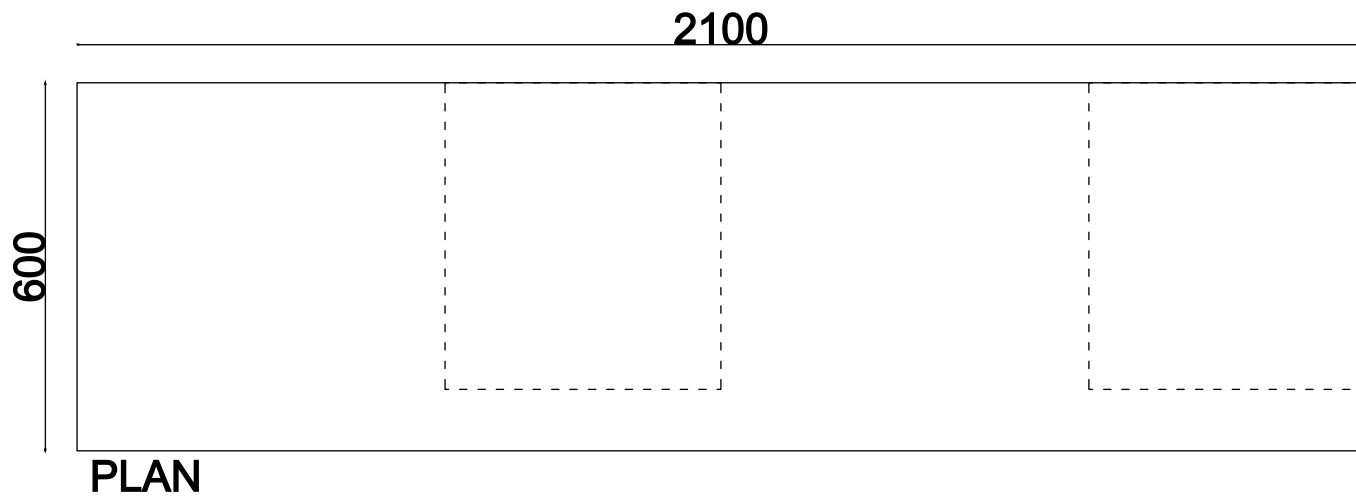


SIDE



BT-WS-008

Work Station





BT-WS-009

Work Station



BT-WS-010

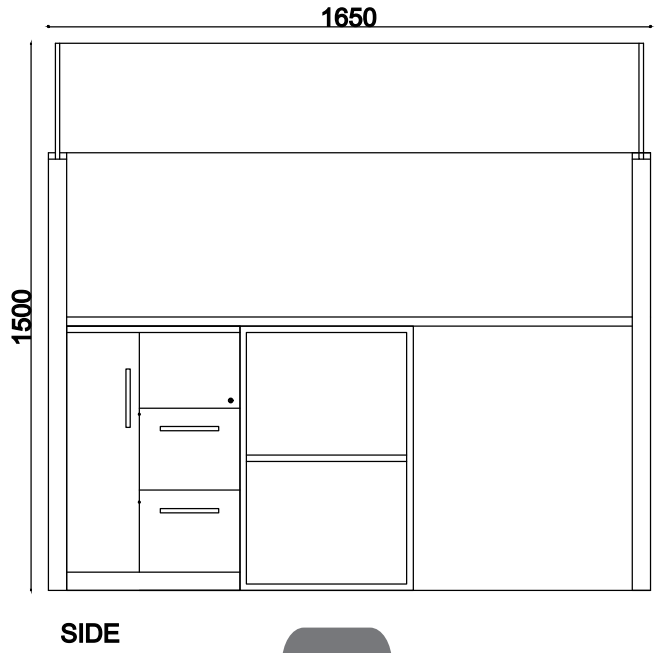
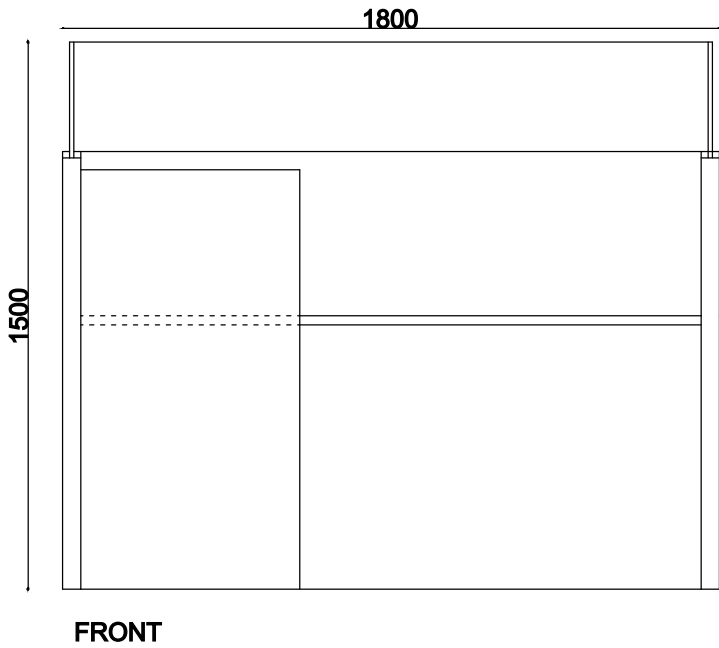
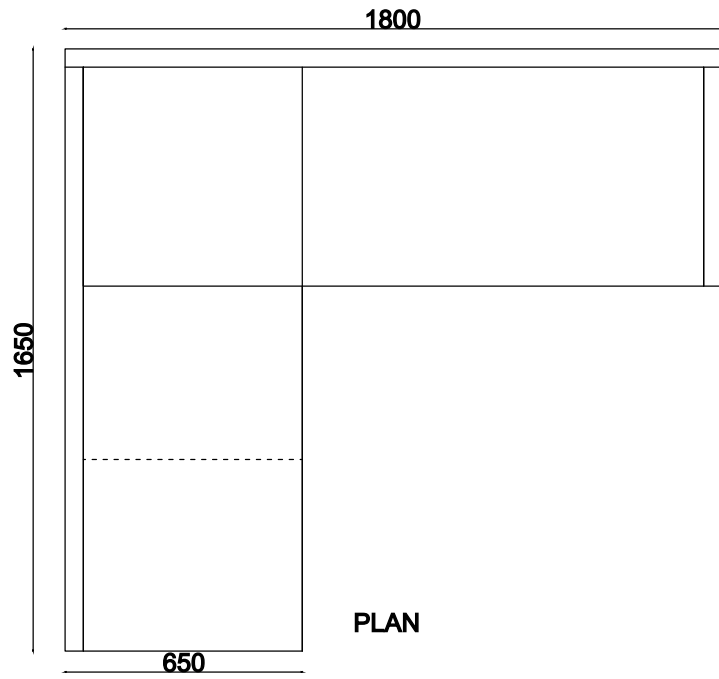
Customized Size Available

16



BT-WS-011

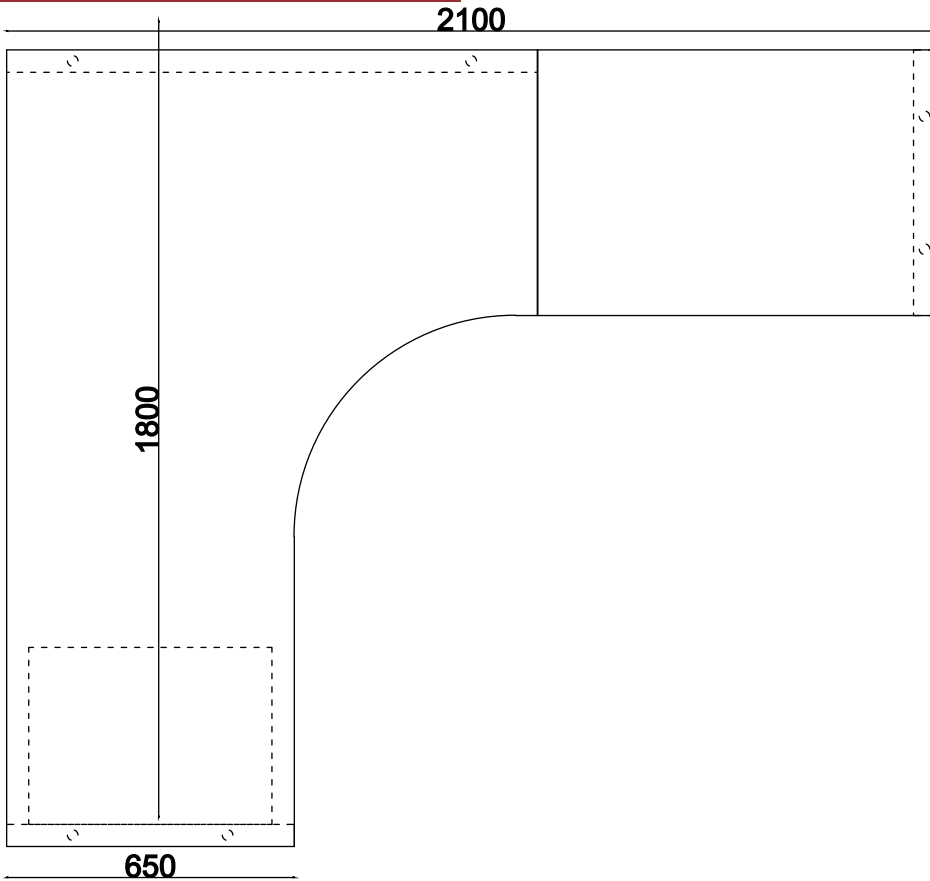
Work Station



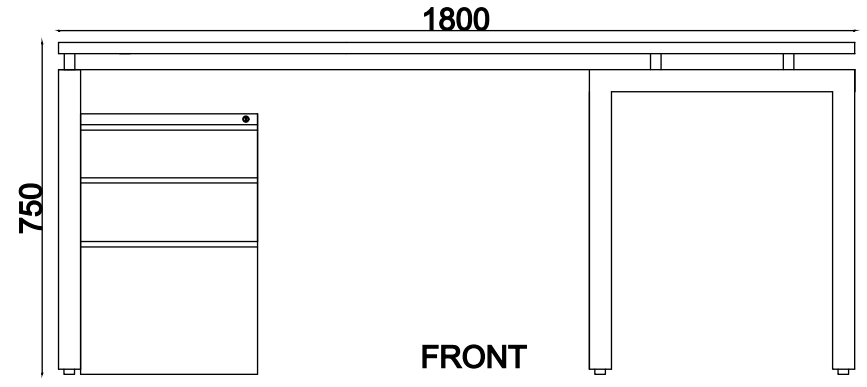
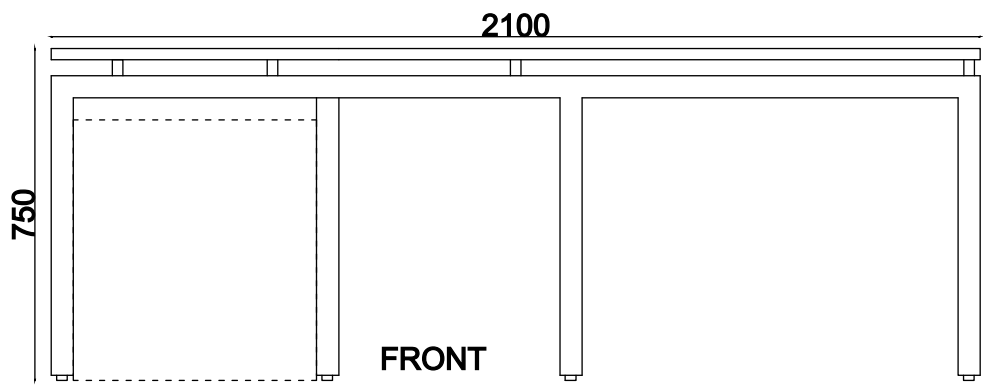


BT-WS-012

Work Station

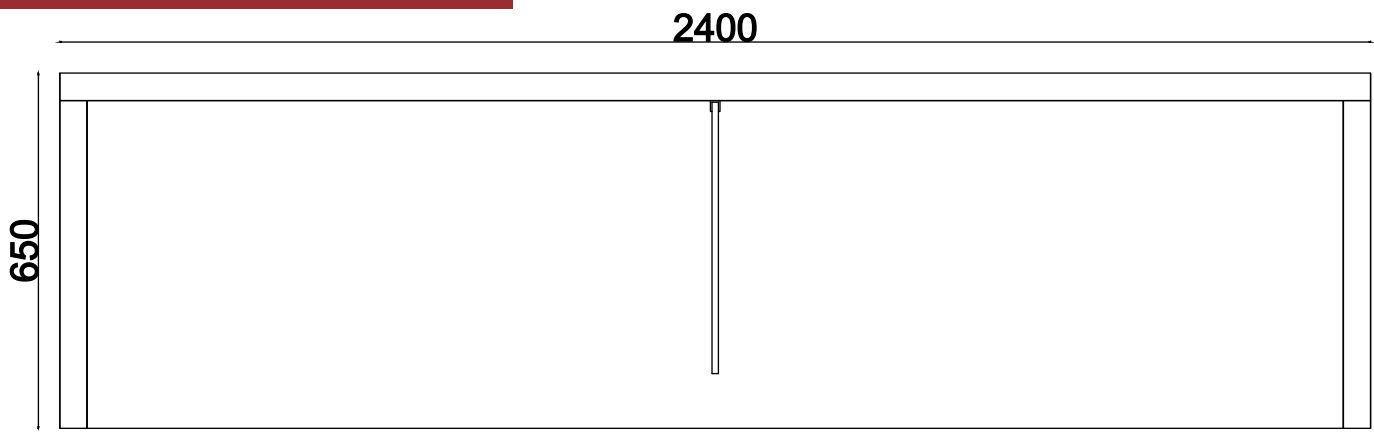


PLAN

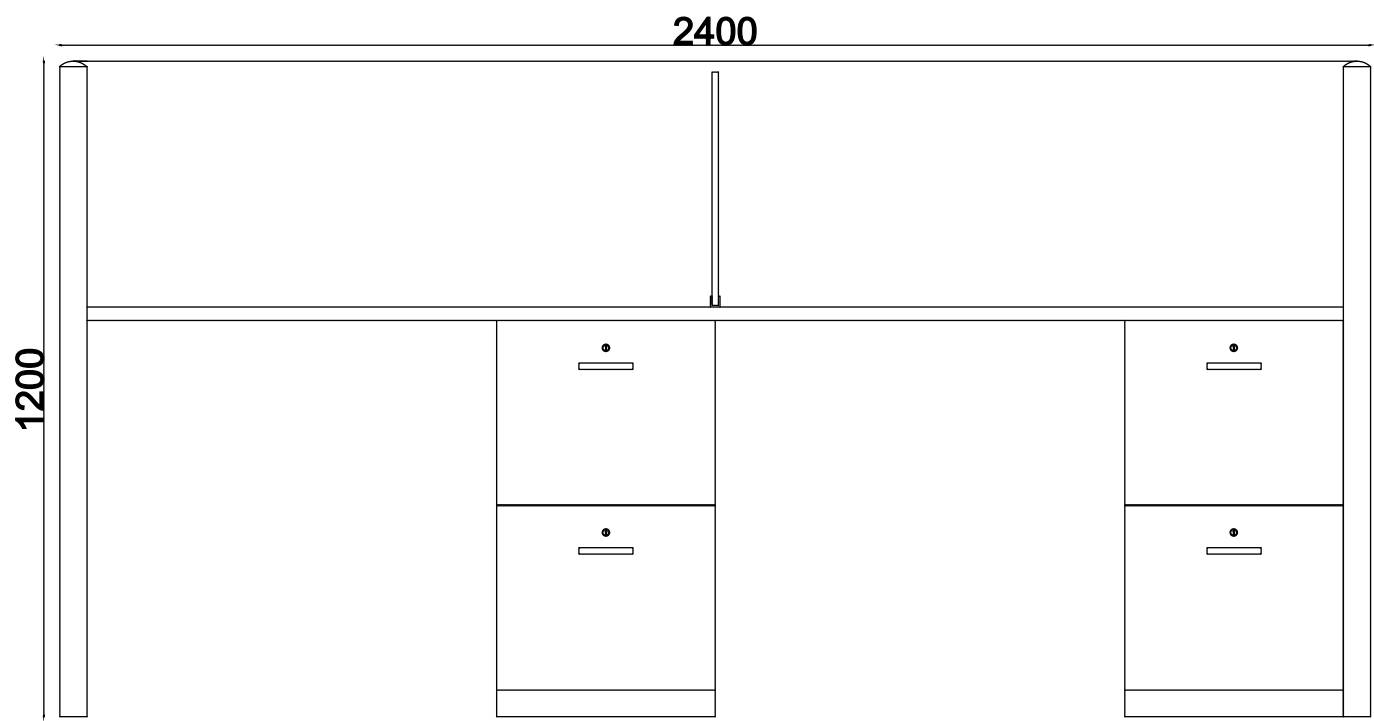




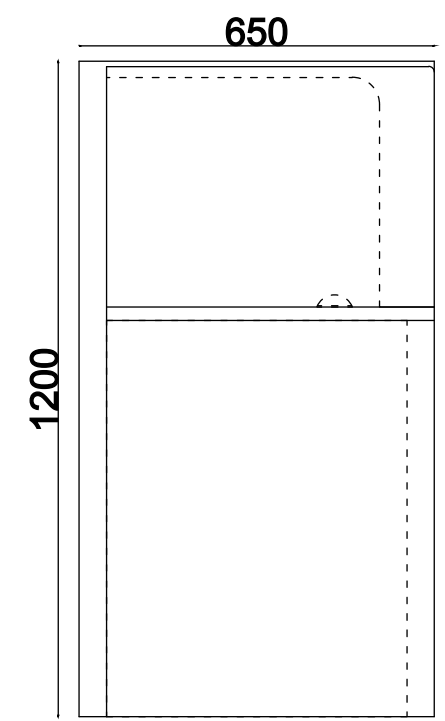
Work Station



PLAN



FRONT

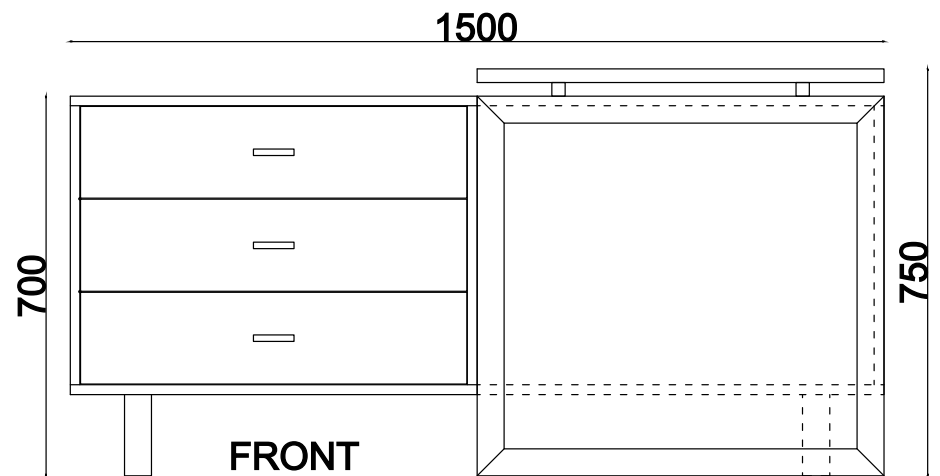
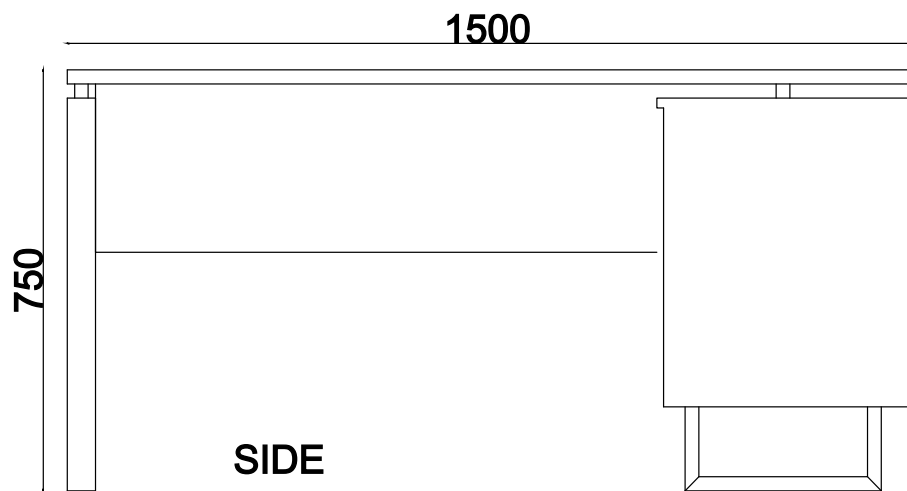
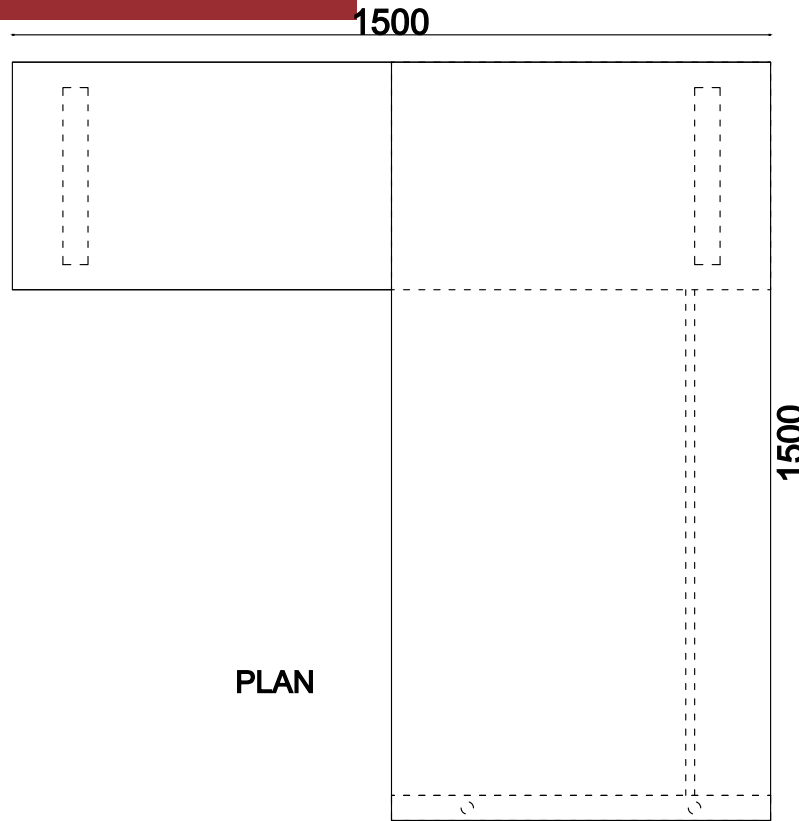


SIDE



BT-MC-001

Modular Cabin





BT-MC-002



BT-MC-003



BT-MC-004



BT-MC-005



BT-MC-006

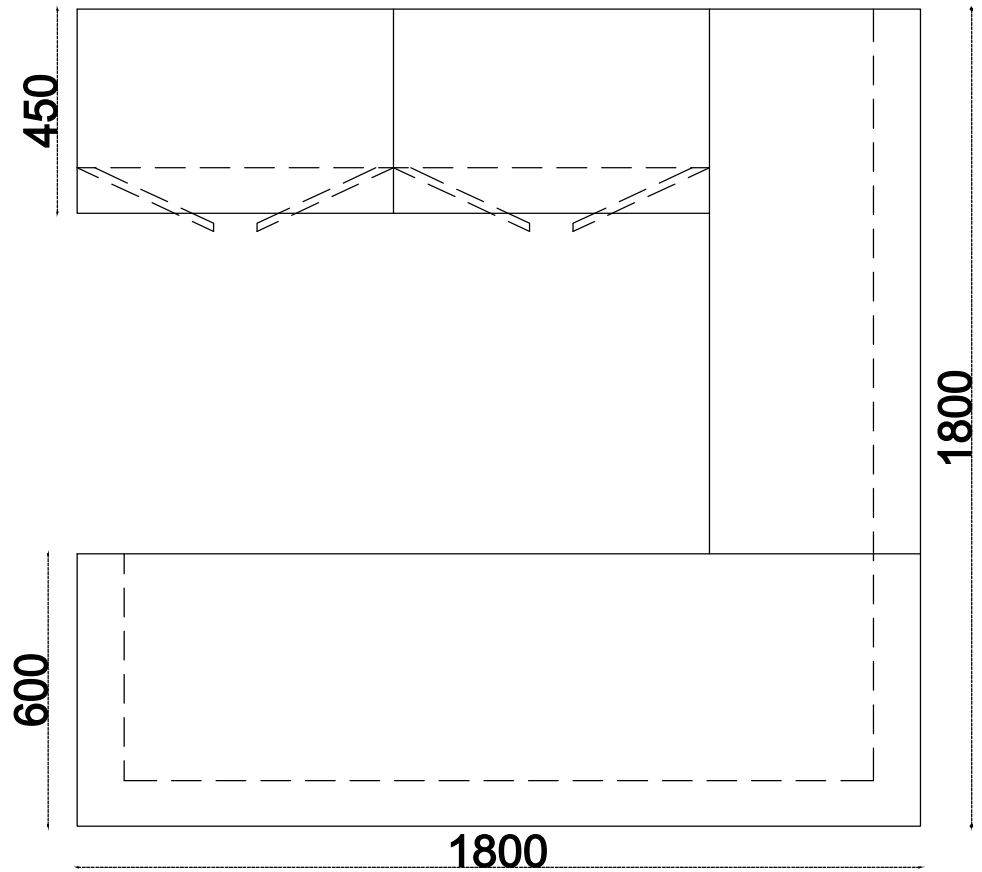


BT-MC-007

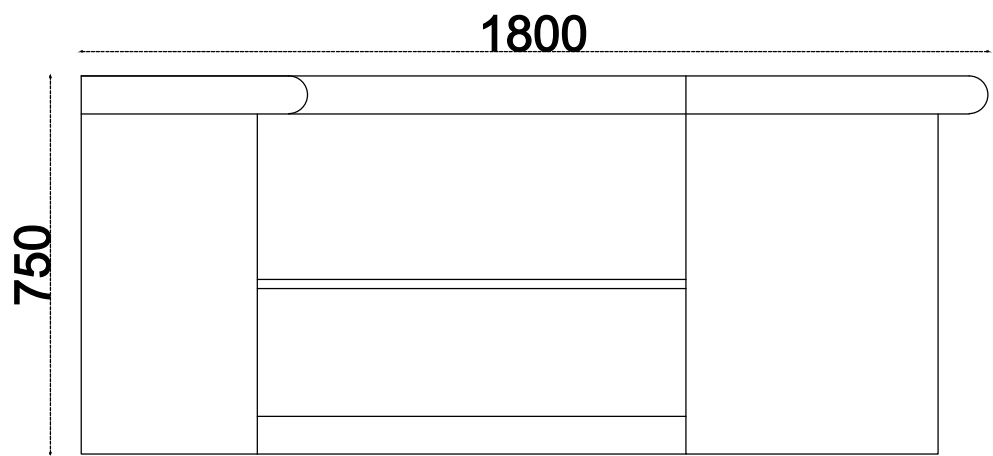


BT-TDR-001

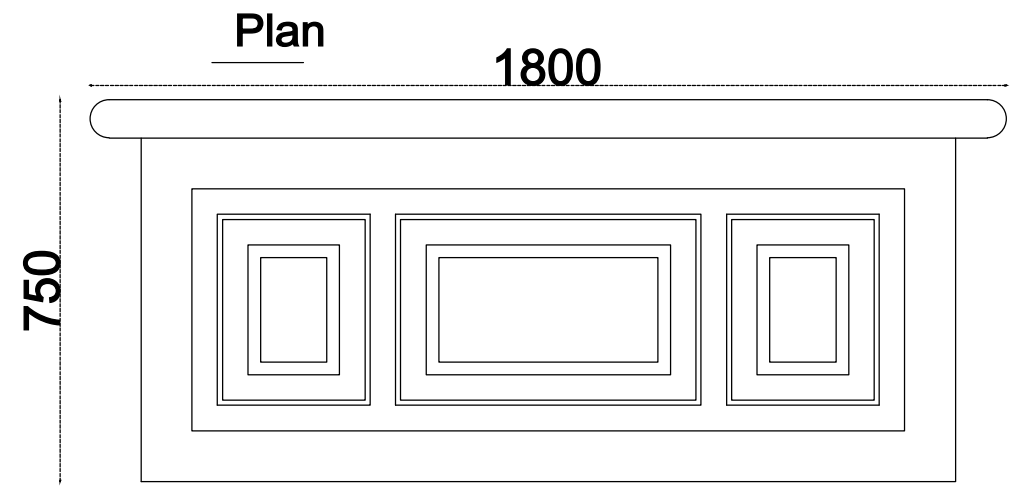
Tradition Director Room



Plan



Side



Front



BT-TDR-002

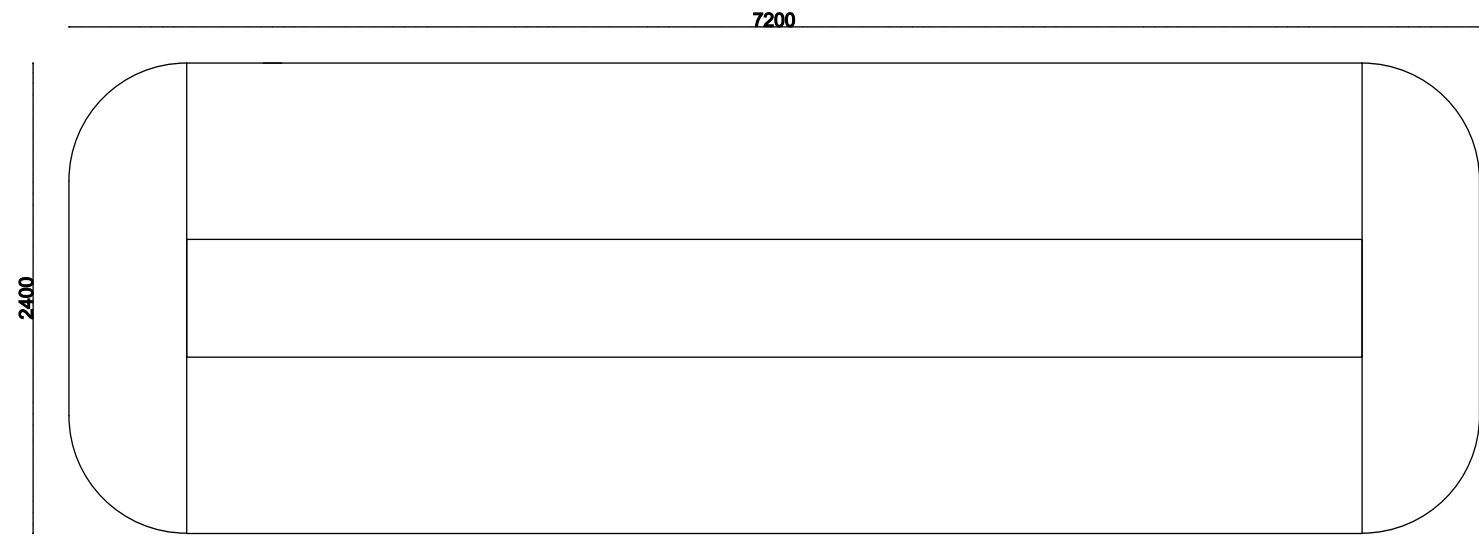


BT-TDR-003

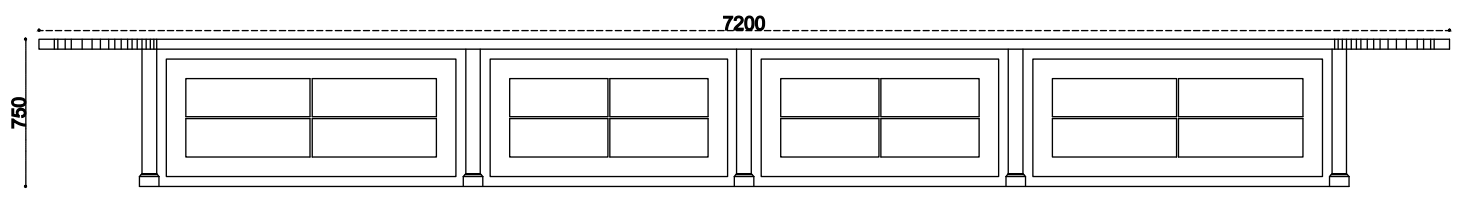


BT-CRT-001

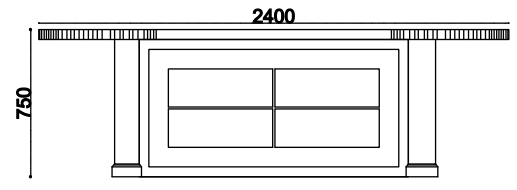
Conference Room Table



Plan



Front

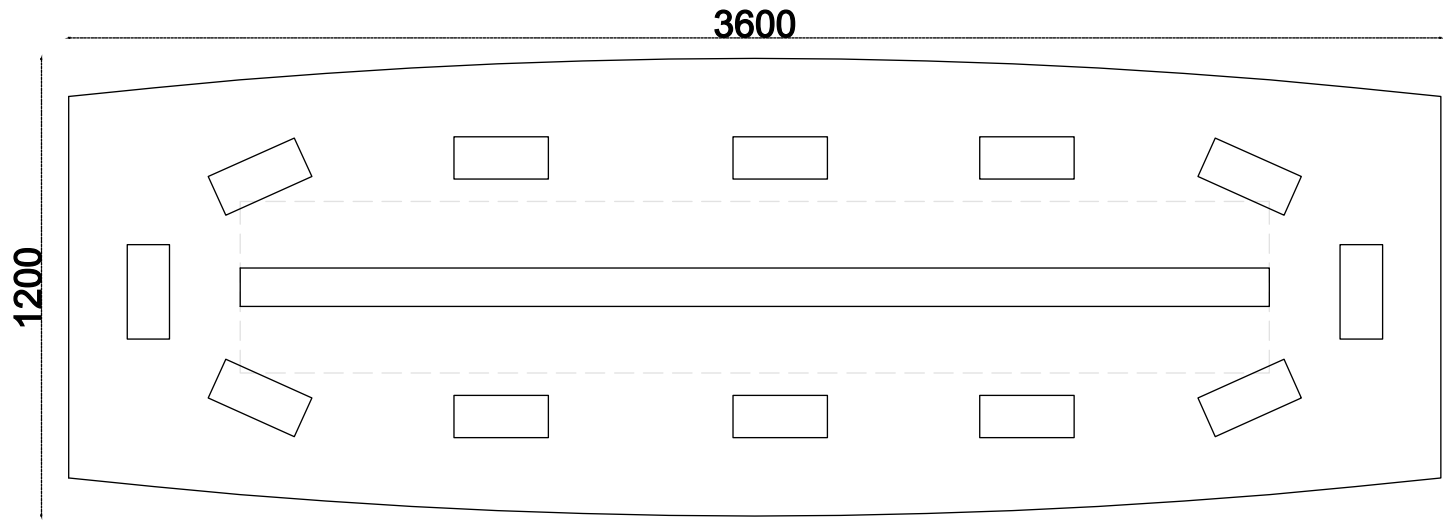


Side

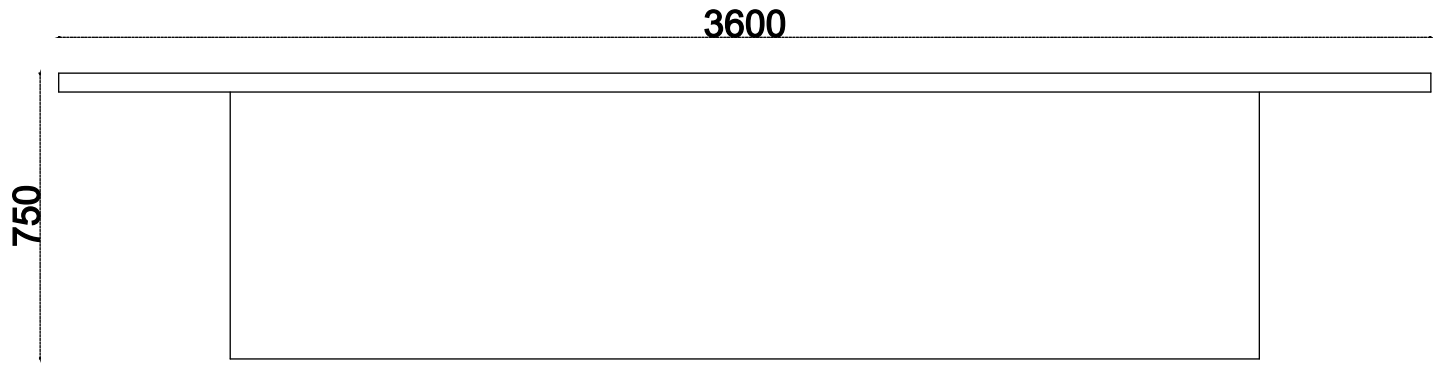


BT-CRT-002

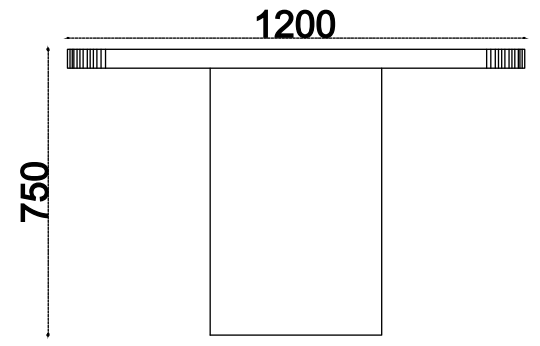
Conference Room Table



Plan



Front

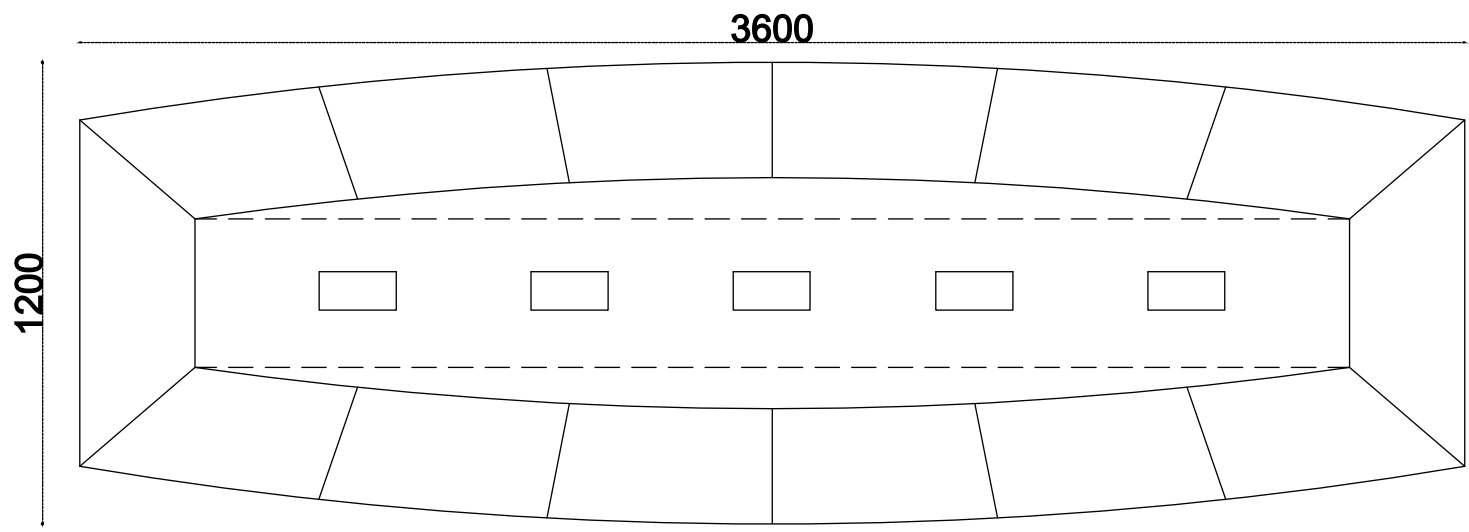


Side

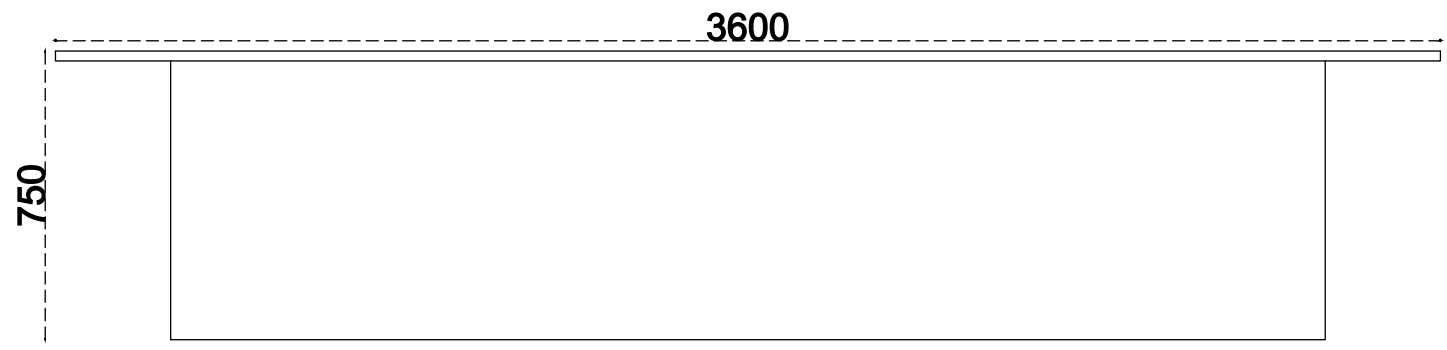


BT-CRT-003

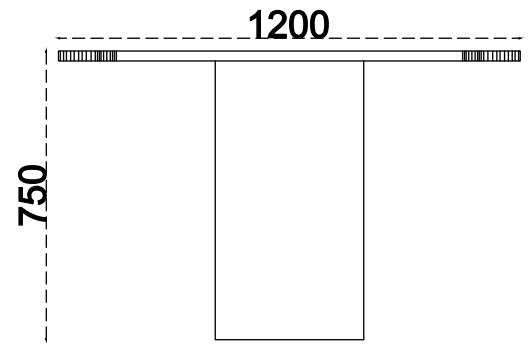
Conference Room Table



Plan



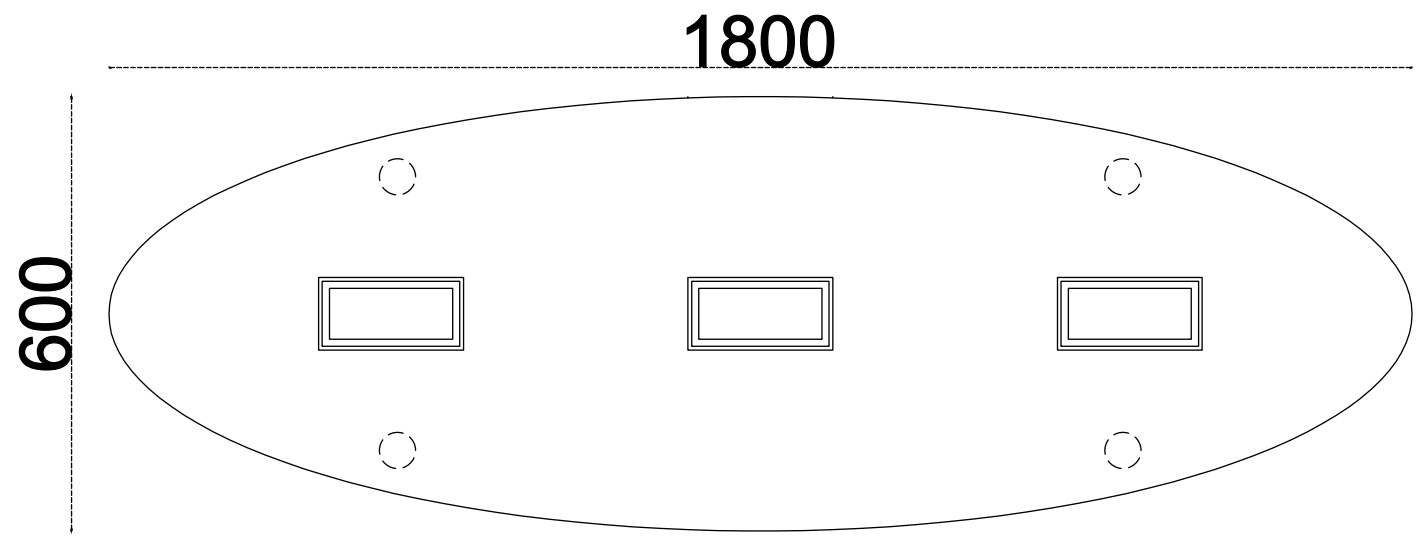
Front



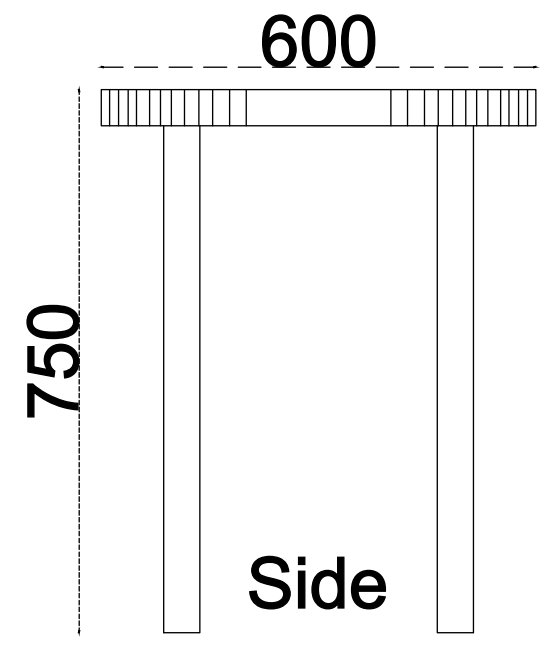
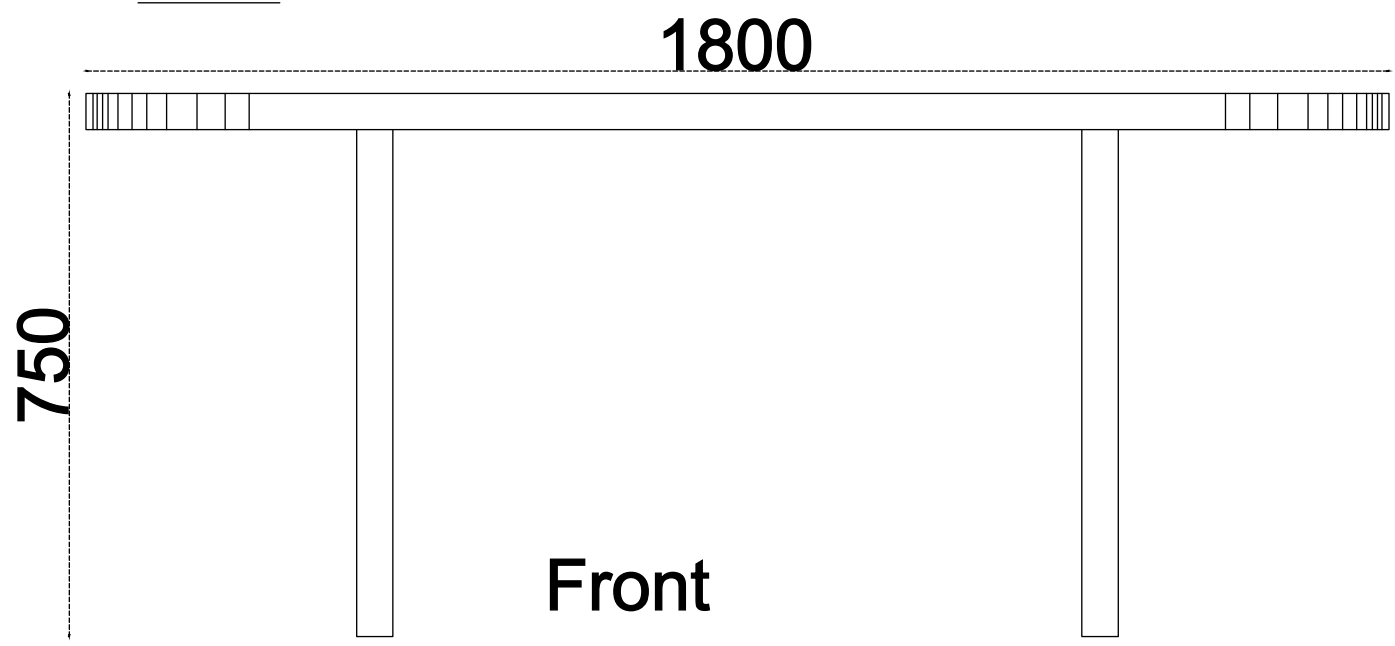
Side



BT-CRT-004

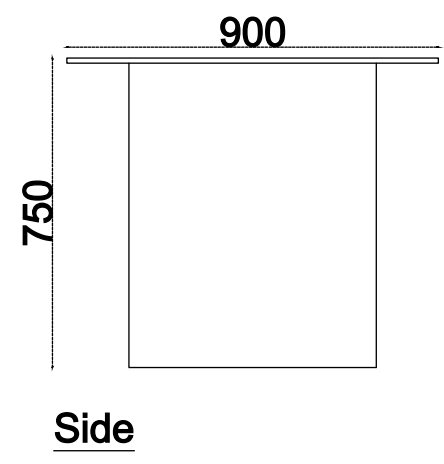
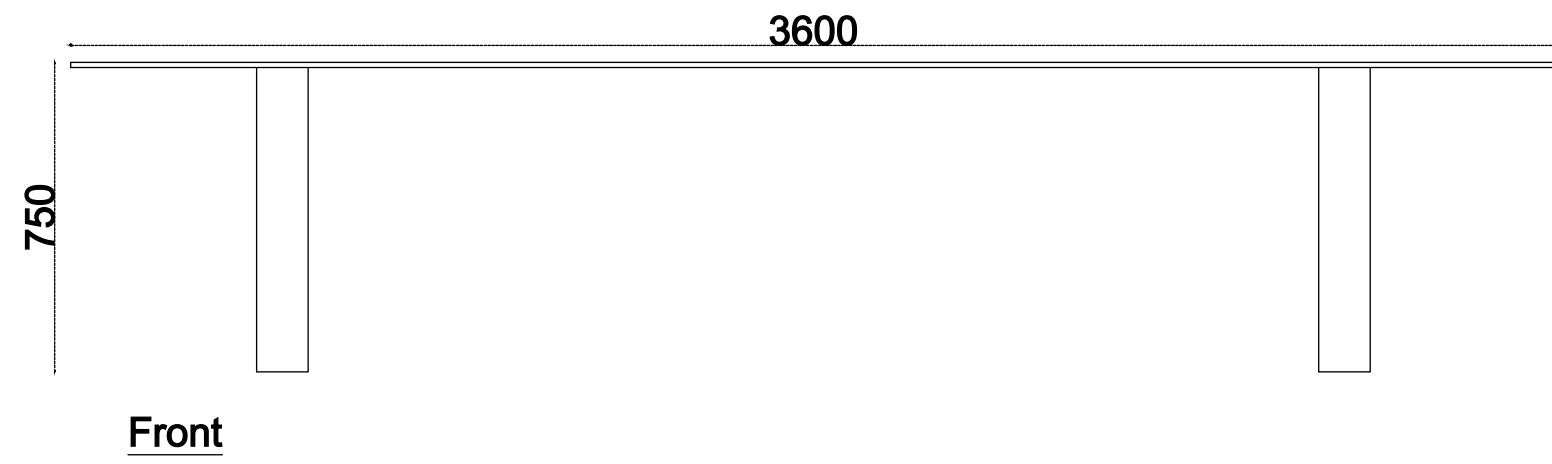
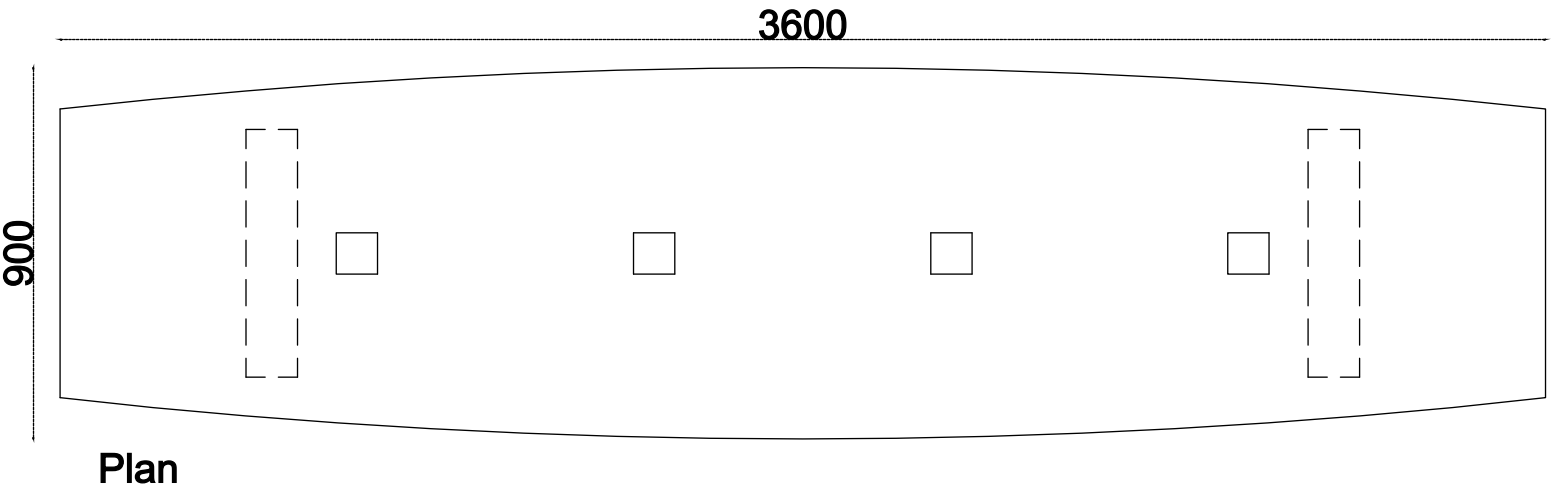


Plan





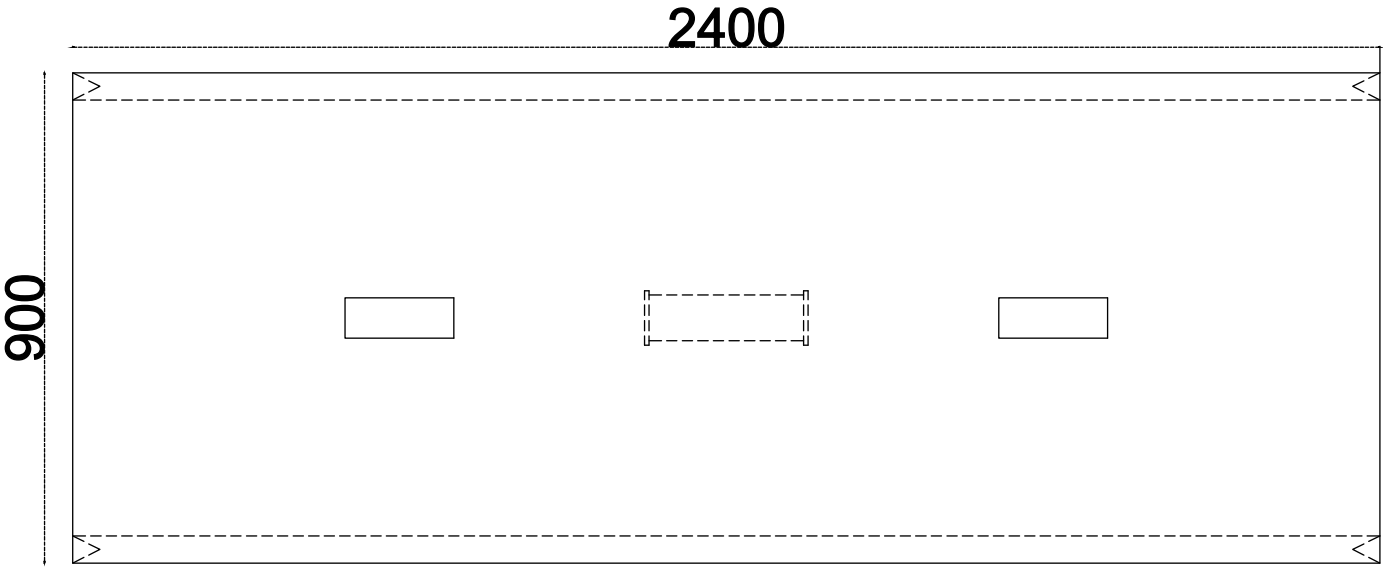
Conference Room Table



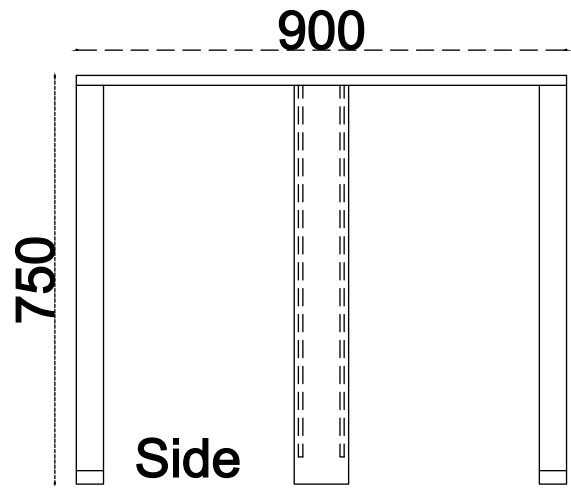
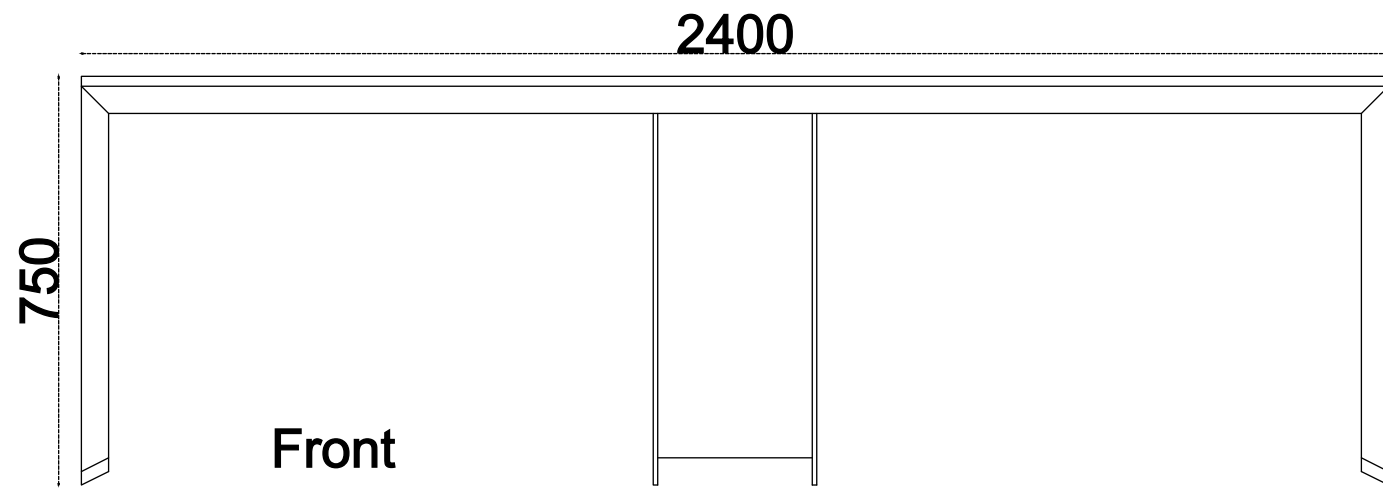


BT-CRT-006

Conference Room Table

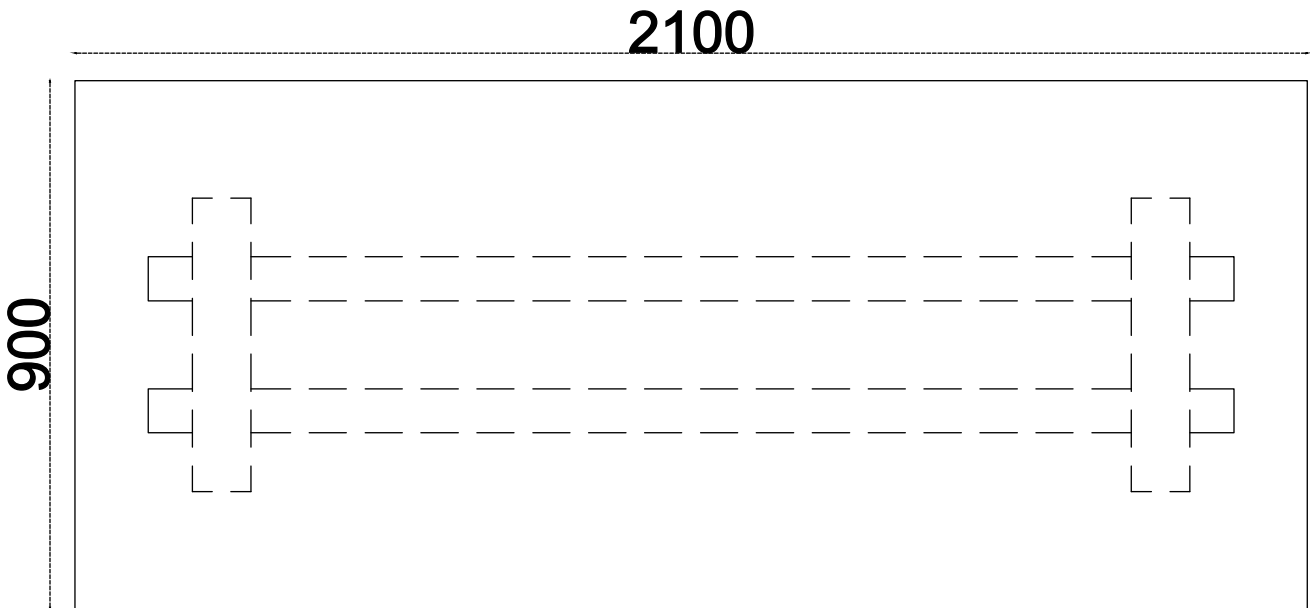


Plan

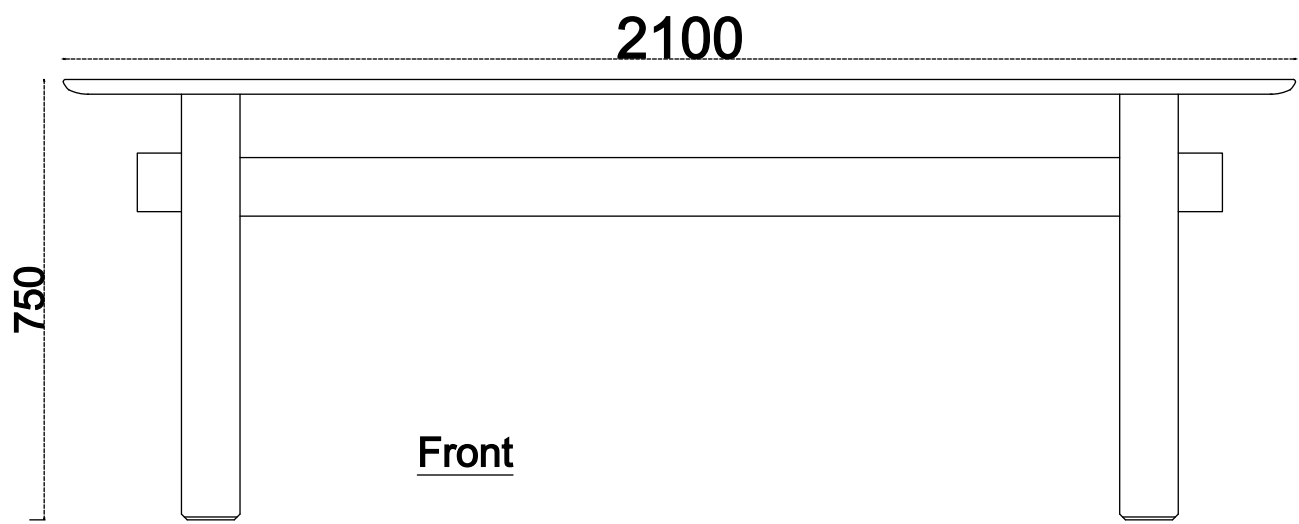




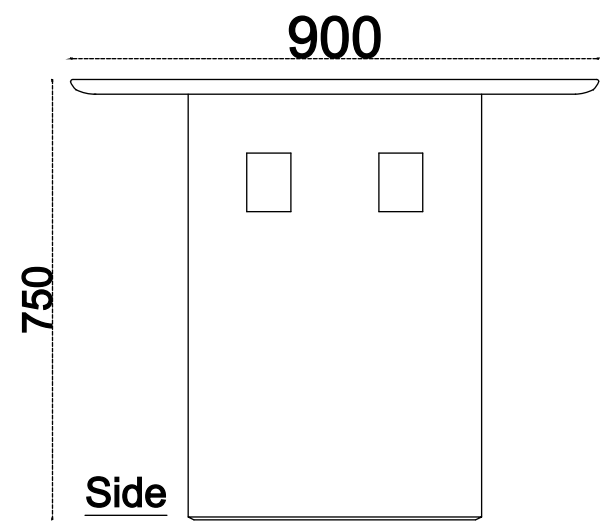
BT-CRT-007



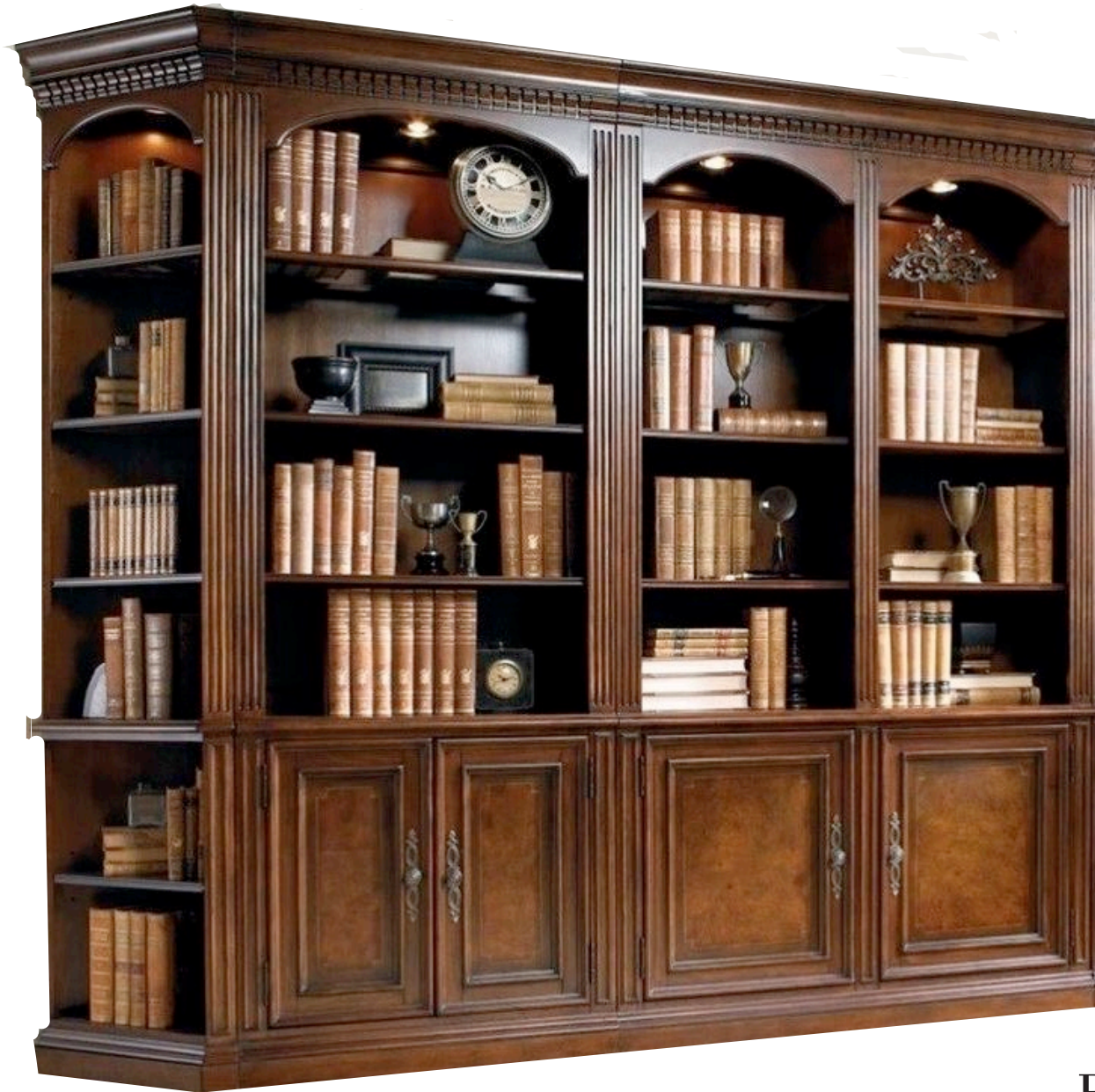
Plan



Front



Side



BT-BS-001



BT-BS-002



BT-BS-003

Enquiry ~ Speak to Us

This is just a small view into the services we render at BOALT. Our real expertise lies in understanding that each project requires a different perspective, and therefore a customized set of services.

For enquiry or just a consultation on an upcoming project, please reach out to us -



+91- 9810122269
+91- 9810592592



info.boalt@gmail.com
boalt.office@gmail.com
www.boalt.in



3rd Floor, B2/302, Kakrola Housing Complex,
Dwarka Near - Old Palam Road, New Delhi. 110078



PAN INDIA SERVICE PROVIDER



BOAT.IN